

Dolphin PCIe4L PCIe Gen4 Cable Data Sheet

PCIe Gen4 x4 CMI SFF-8644 copper cables

Dolphin provides PCI-SIG External Cabling Specification cables that support standard Gen 4 PCIe speeds with SFF-8644 connectors. The Dolphin cables are copper cables with various lengths up to 5M. The PCIe Gen 4 cables support the new Cable Management Interface (CMI) used for sideband signaling.



Features

- Cable lengths .5m to 5m
- Conforms to the mechanical dimensioning requirements of SFF-8644
- PCIe External Cabling Specification compliant
- x4 PCIe Gen 4 support
- 2 EEPROMs
- 100 Ohm Cable PVC
- RoHS compliant

Part Numbers

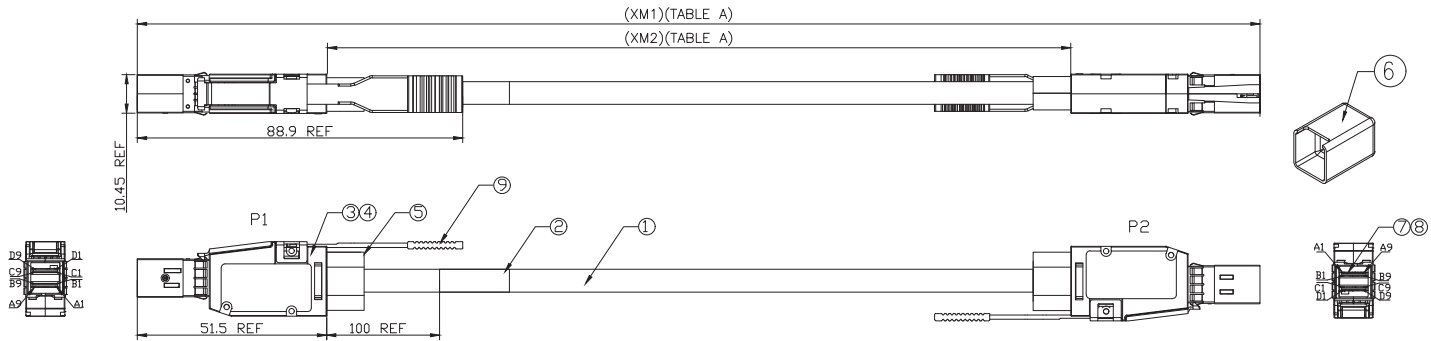
Part	Length
PCIe4L-0M	.5 Meter
PCIe4L-1M	1 Meter
PCIe4L-2M	2 Meter
PCIe4L-3M	3 Meter
PCIe4L-4M	4 Meter
PCIe4L-5M - Pre-qualified	5 Meter

Pin-Out

External PCIe x4 Cable Pin-out									
Row	9	8	7	6	5	4	3	2	1
D	GND	PETn2	PETp2	GND	PETn1	PETp1	GND	MGTPWR	PWR
C	GND	PETn3	PETp3	GND	PETn0	PETp0	GND	CMISDA	CMISCL
B	GND	PERn2	PERp2	GND	PERn1	PERp1	GND	CBLPRSNT#	PWR
A	GND	PERn3	PERp3	GND	PERn0	PERp0	GND	CINT#	CADDR



.5 to 5 Meter cable drawing



REF =MM

ITEM	NAME	QTY	DESCRIPTION
12	EEPROM	2	EEPROM, 2K, 24C02
11	HEATSHRINK	A/R	HEATSHRINK, TUBING
10	EMI SPRING	4	EMI SPRING
9	PULL TAB	2	PULL TAB
8	SHELL CLIP LATCH	2	CLIP FOR SFF-8644
7	PCB	2	EXT HD PCB A,B
6	PCB	2	EXT HD PCB C,D
5	DUST COVER	2	DUST COVER, PE, NATURAL
4	INNER MOLD	2	INNER MOLDING FOR EXT HD
3	SHELL	4	TOP, BOTTOM, SHELL FOR SFF-8644
2	LABEL	1	CABLE ID LABEL
1	RAW CABLE	A/R	8 PX28AWG+2CX32AWG, 100 Ohn PVC

LOW SPEED CONTROL

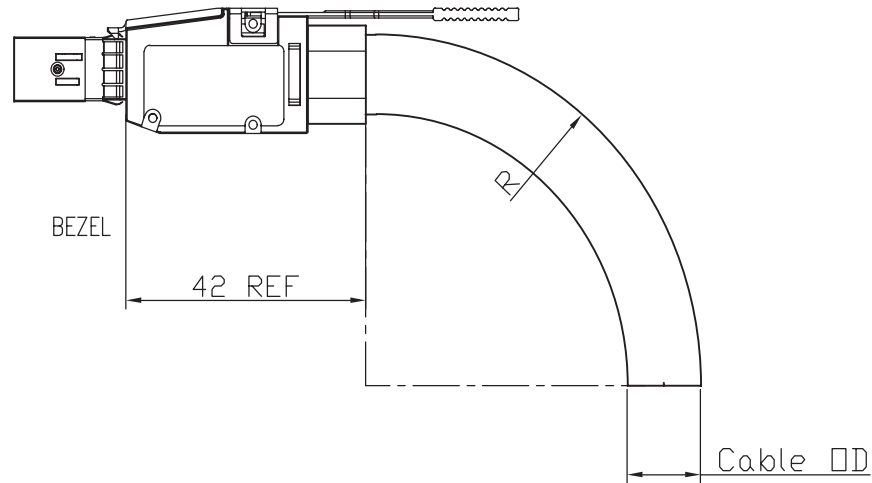
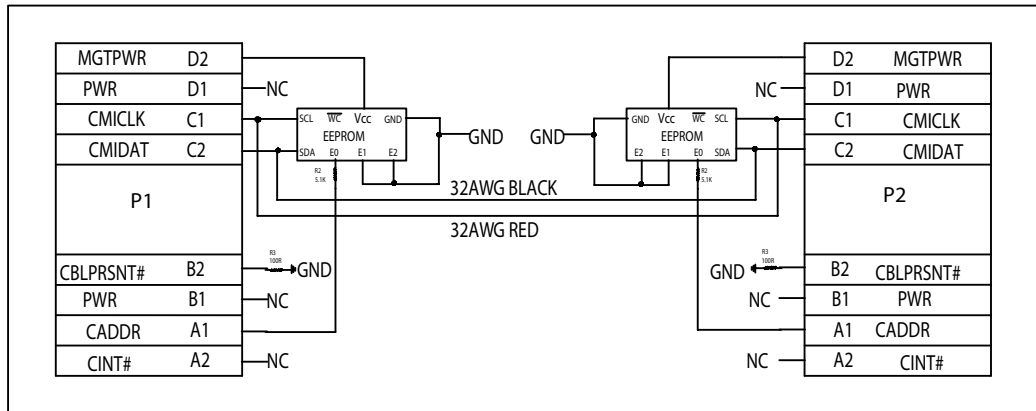


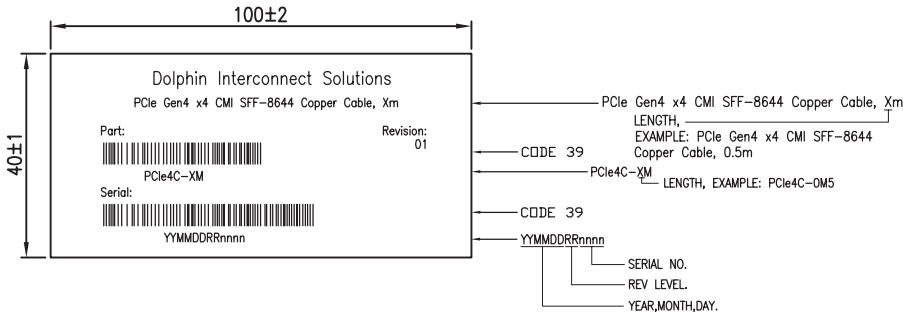
Table A

Length	Cable Gauge	Cable "OD"	Static Bend Radius "R"	Dynamic Bend Radius "R"
.5M-3M	28AWG	8.5MM	42.5MM	85MM
4-5M	26AWG	9.4MM	47MM	94MM

Static Bend Radius "R" - Static bend radius is used for a cable coming out of the back of a server and left alone for years. The "R" radius is used to determine how far away from the rear rack door needs to be without imposing a smaller radius on the cable itself. The cable is sitting with no force on it other than gravity which is constant.

Dynamic Bend Radius - Dynamic bend radius is used for continuous bending applications. These applications are continuously being bent every day or second. These applications need more radius to reduce the chance of breaking the copper conductor.

LABEL INFORMATION



WIRE TYPE	XX AWG	XMI LENGTH
PVC	28	500+/- 20
PVC	28	1000+/-30
PVC	28	3000+/- 40
PVC	26	5000+/-50